

CONDENSATE SEPARATOR

CS / CS-SS

DESCRIPTION

CS condensate separators have been developed for high efficient removal of bulk liquids and large impurities from compressed air⁽¹⁾ systems. Inside the housing there is an insert that creates controlled rotation of the air. As a result of centrifugal action liquids (water, oil) and large particles are forced to the housing wall, slowed down and accumulated at the bottom of separator housing as condensate. The turbulent free zone in the lower part of the cyclone housing prevents condensate from being picked up and “carried over” into the airstream. Because of the nature of application, it is essential to install appropriately sized condensate drain on the separator. CS cyclone separators are also available in stainless steel version CS-SS.



APPLICATIONS⁽²⁾

- Automotive
- Electronics
- Food & Beverage
- Chemical
- Petrochemical
- Plastics
- Paint
- General industrial application

⁽¹⁾For any other technical gas please contact us or your local dealer

⁽²⁾CS condensate separator can be used in variety of applications. For applications not listed please contact us or your local dealer.

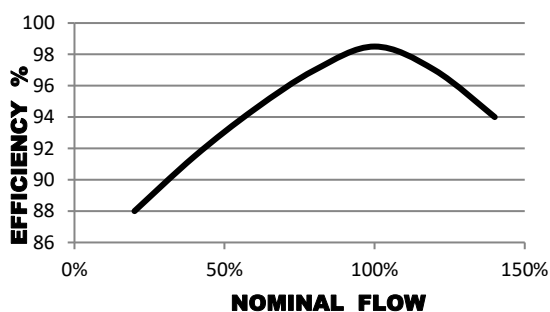
CS CYCLONE SEPARATOR RATING ACCORDING TO ISO8573-1

Solid particles	Water	Oil
-	Class 8	-

TECHNICAL SPECIFICATION

Operating temperature	1,5 - 120 °C	35 - 248 °F
Operating pressure	0 - 16 bar(g)	0 - 232 psi
Efficiency ⁽³⁾	>98%	

⁽³⁾Under nominal flow, 20°C, inlet droplet size 10µm - 50µm



MATERIALS

Housing material	Carbon steel (Stainless steel ⁽⁴⁾)
Outside protection	Powder paint coated (Epoxy-polyester base)

⁽⁴⁾Stainless steel version CS-SS is available on request

SIZES

HOUSING ⁽⁵⁾	PIPE SIZE [DN]	FLOW CAPACITY		DIMENSIONS [mm]				VOLUME [l]	WEIGHT [kg] ⁽⁶⁾
		[Nm ³ /h]	[scfm]	A	B	C	D		
CS 14	65	840	495	613	153	302	45	8,5	21
CS 28	80	1710	1005	745	182	302	35	11	26
CS 62	125	3720	2190	1041	280	390	43	27	58
CS 88	150	5280	3110	1298	330	489	50	55	87
CS 124	200	7440	4380	1506	436	619	52	91	147
CS 238	300	14280	8404	1680	509	805	89	256	314

Flow capacity at 7 bar(g), 20°C

⁽⁵⁾Designation belongs to carbon steel housing. Corresponding name for stainless steel housing is CS-SS.

⁽⁶⁾Weight corresponds to CS models. CS-SS series models weight may vary.

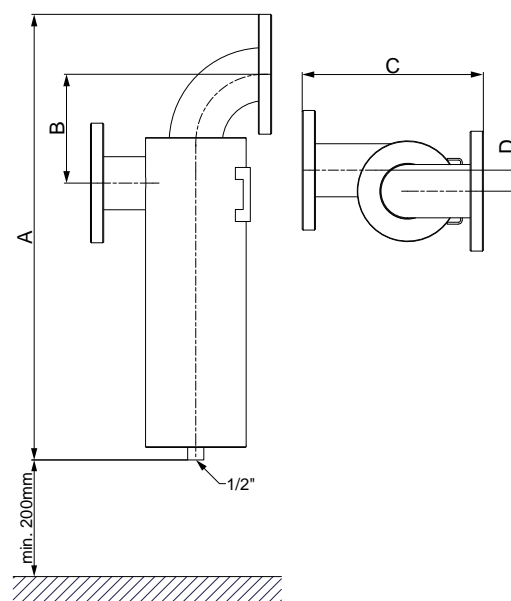
**PRESSURE EQUIPMENT DIRECTIVE PED 2016/68/EU
(Fluid group 2)**

CS 14 – CS 08	Category 1, Module A
CS 62 – CS 88	Category 2, Module H
CS 124	Category 3, Module H
CS 238	Category 4, Module H1

**PRESSURE EQUIPMENT DIRECTIVE PED 2016/68/EU
(Fluid group 1)⁽⁷⁾**

CS014 - CS028	Category 2, Module H
CS062 - CS088	Category 3, Module H
CS124 - CS238	Category 4, Module H1

⁽⁷⁾ Fluid group must be specified in the order, if not standard fluid group 2 is selected.



CORRECTION FACTORS

To calculate the correct capacity of a given separator based on actual operating conditions, multiply the nominal flow capacity by the appropriate correction factor(s).

CORRECTED CAPACITY = NOMINAL FLOW CAPACITY x C_{OP}


OPERATING PRESSURE

[bar]	2	3	4	5	6	7	8	9	10	11	12	13	14	15	16
[psi]	29	44	58	72	87	100	115	130	145	160	174	189	203	218	232
C _{OP}	0,38	0,5	0,63	0,75	0,88	1	1,13	1,25	1,38	1,50	1,63	1,75	1,88	2,00	2,13

MAINTENANCE

Once per year make a visual check of separator housing and make sure there is no visual damage. At least every six months check if condensate drain is operating properly.

INFORMATION IN THIS DOCUMENT IS SUBJECT TO CHANGE WITHOUT NOTICE

	<p>Our quality management system is certified by BUREAU VERITAS in conformity with ISO 9001:2008 Reg. number: 200285</p>
---	--